

SHUMATECH	
TITLE: DPU-550	VARIANT: Full
PAGE: 1-ARM7	DATE: 6/12/2009 REV: B
AUTHOR: Shumate	SIZE: A SHEET 1 OF 4

A

B

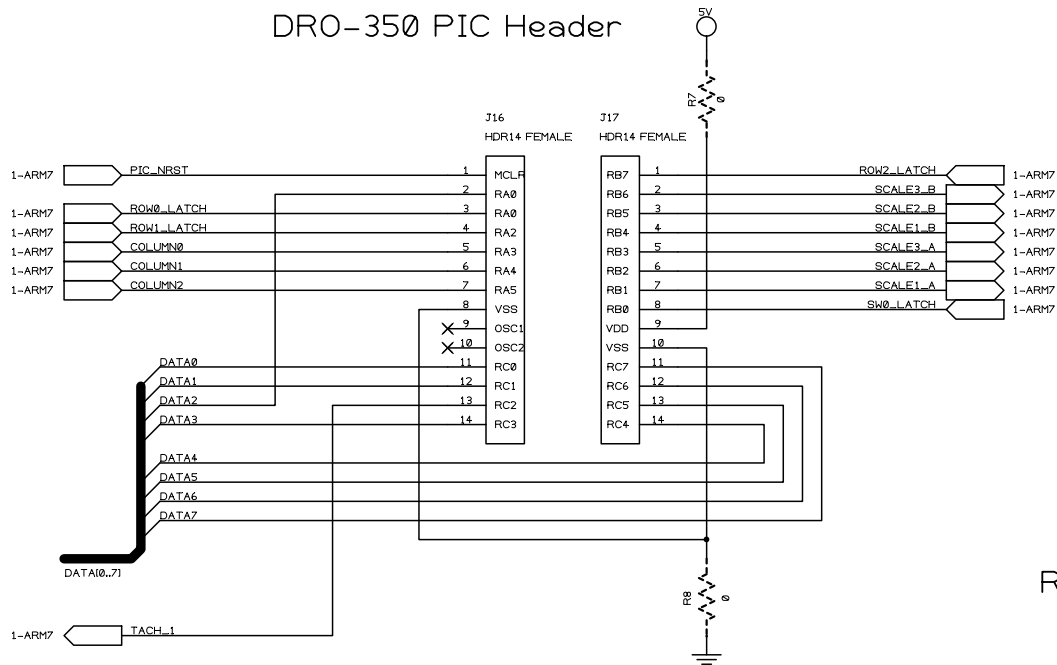
C

D

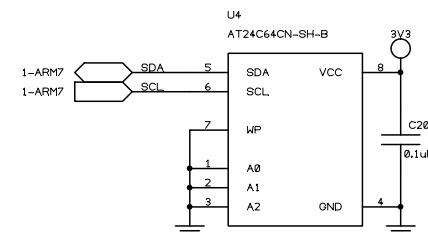
1

1

DRO-350 PIC Header



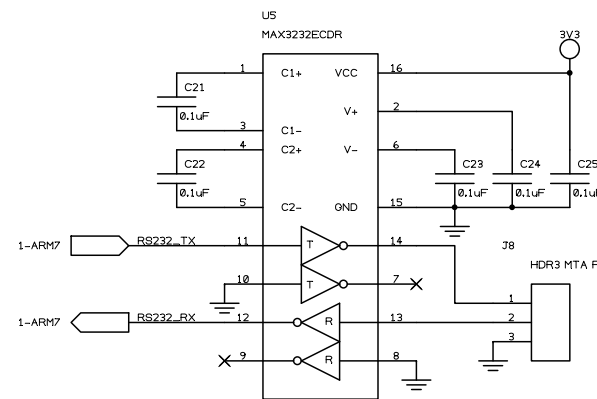
8KB I2C EEPROM



2

2

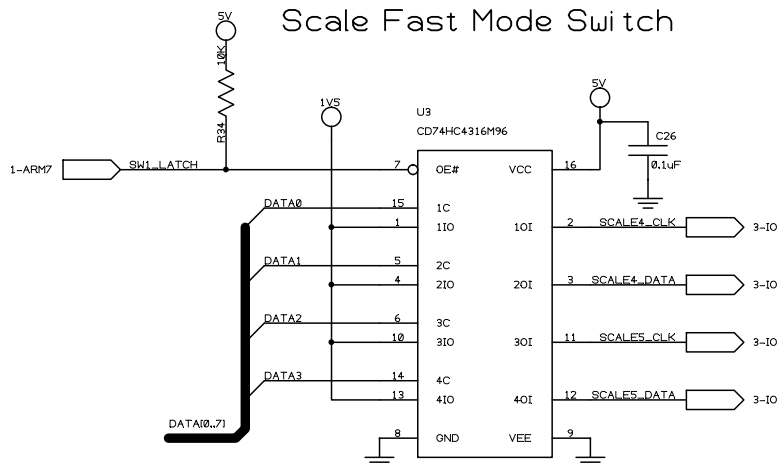
RS-232 Transceiver



3

3

Scale Fast Mode Switch



4

4

SHUMATECH

TITLE: DPU-550		VARIANT: Full	
PAGE: 2-PIC		DATE: 6/12/2009	REV: B
AUTHOR: Shumate		SIZE: A	SHEET 2 OF 4

A

B

C

D

A

B

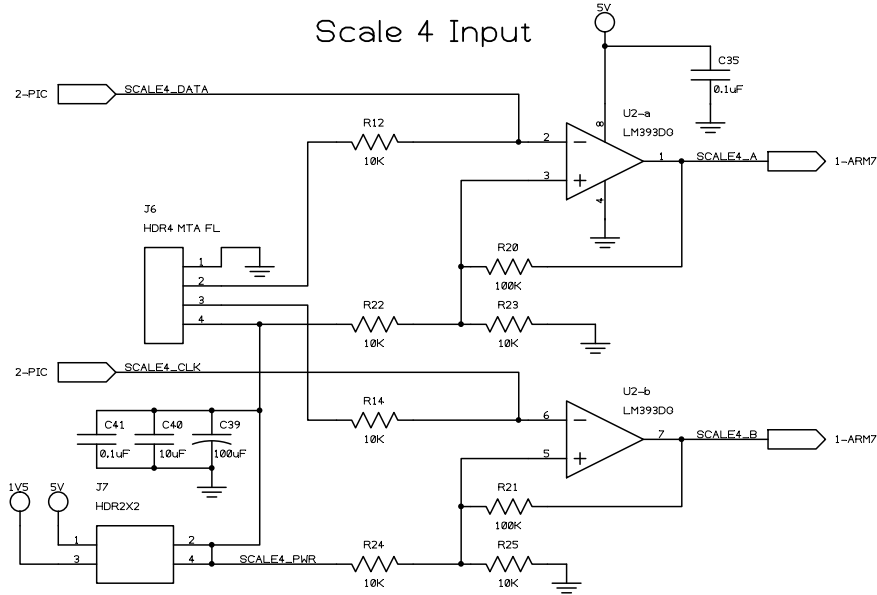
C

D

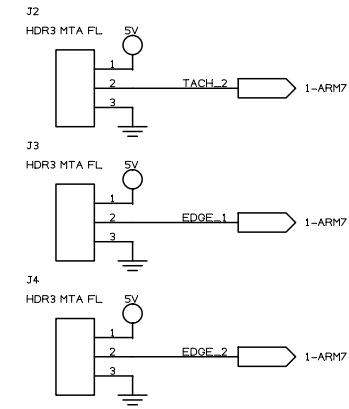
1

1

Scale 4 Input



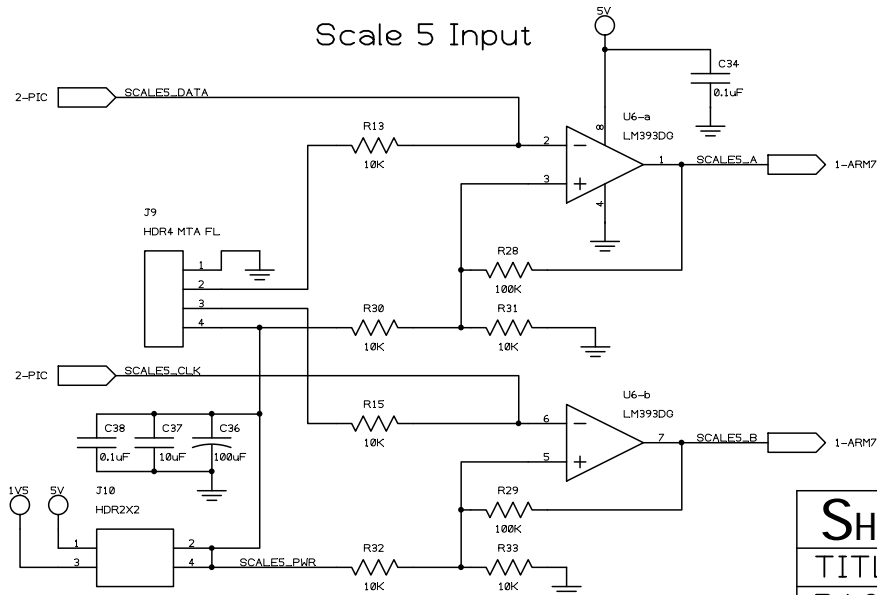
Edge Finder & Tachometer Inputs



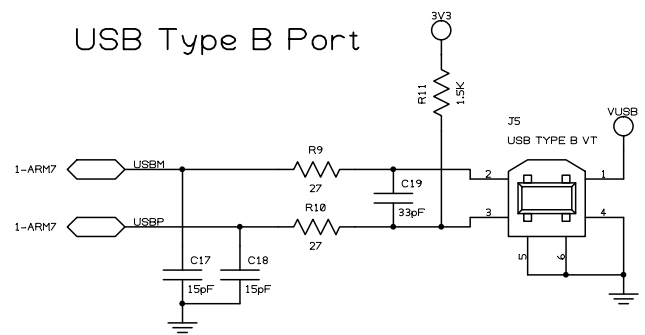
2

2

Scale 5 Input



USB Type B Port



3

3

4

4

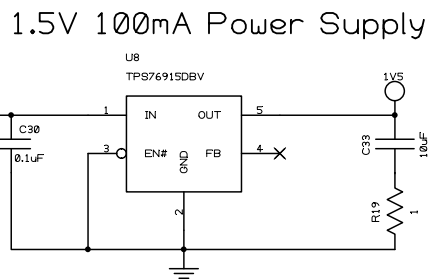
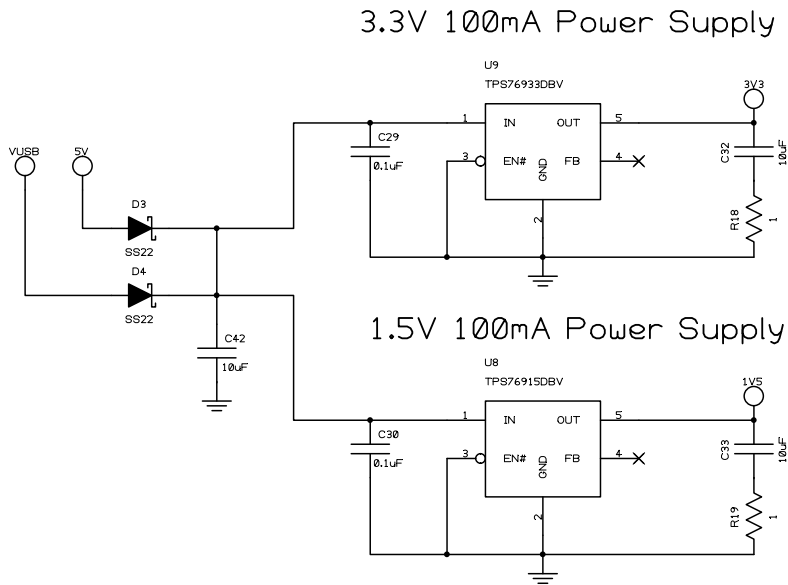
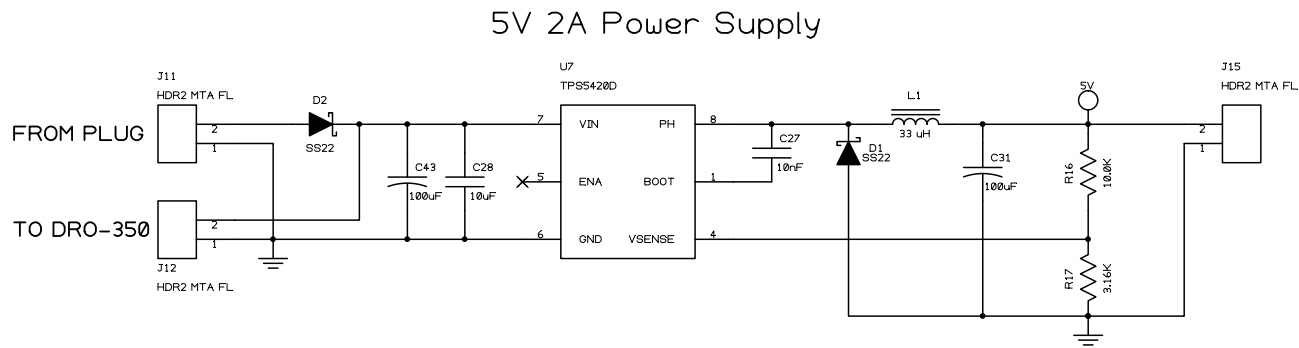
SHUMATECH	
TITLE: DPU-550	VARIANT: Full
PAGE: 3-IO	DATE: 6/12/2009 REV: B
AUTHOR: Shumate	SIZE: A SHEET 3 OF 4

A

B

C

D



SHUMATECH

TITLE: DPU-550		VARIANT: Full	
PAGE: 4-Power		DATE: 6/12/2009	REV: B
AUTHOR: Shumate		SIZE: A	SHEET 4 OF 4