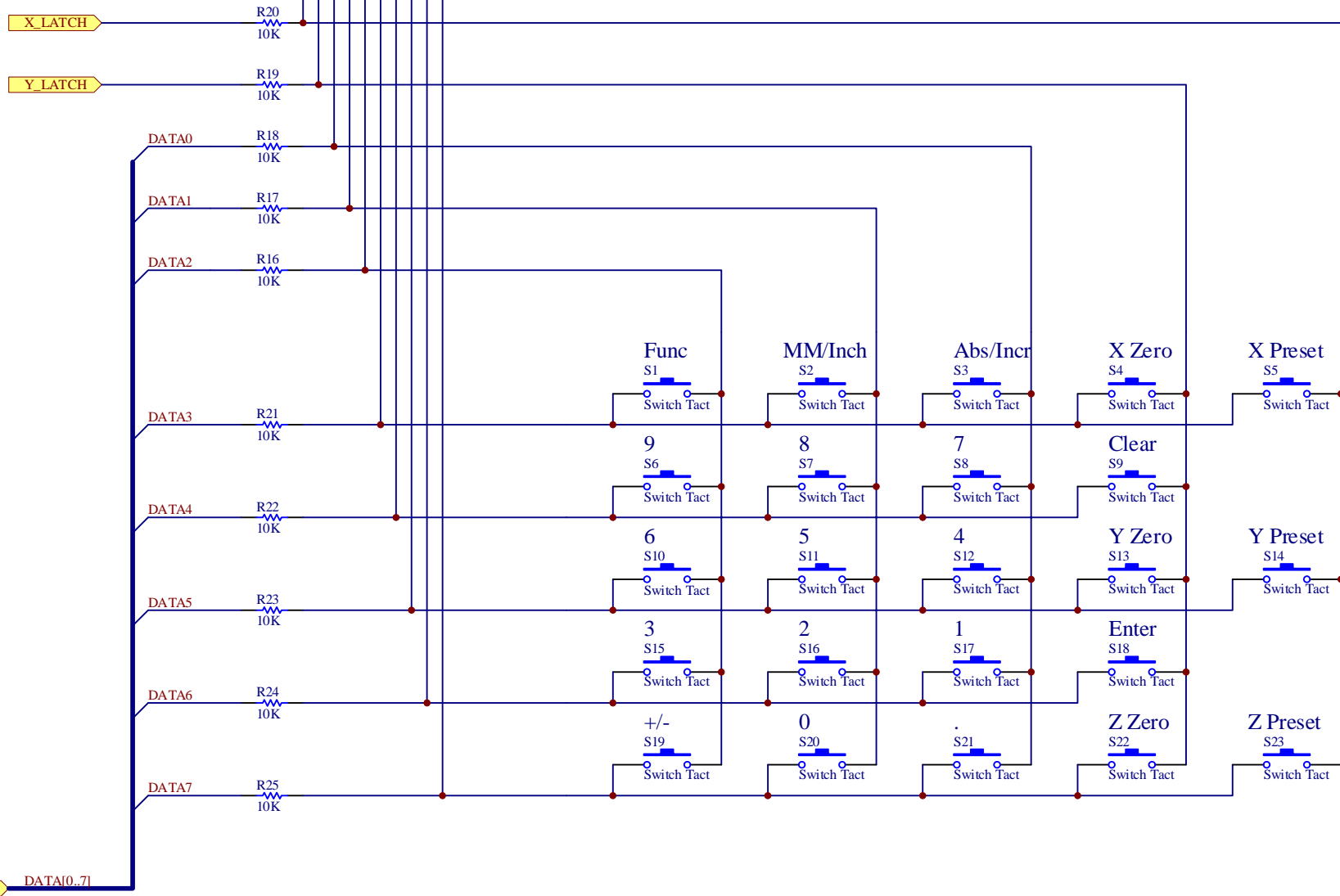
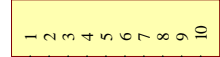


Membrane Header

JP7 Header 10



DATA[0..7] DATA[0..7]

Title DRO-350 Keypad		
Size: Letter	Number:	Revision: 3
Date: 2/8/2004	Time: 2:33:02 PM	Sheet 4 of 7
File: Keypad.SchDoc		

SHUMATECH
 Copyright (C) 2004 ShumaTech.
 All rights reserved.
 No unauthorized use allowed.